



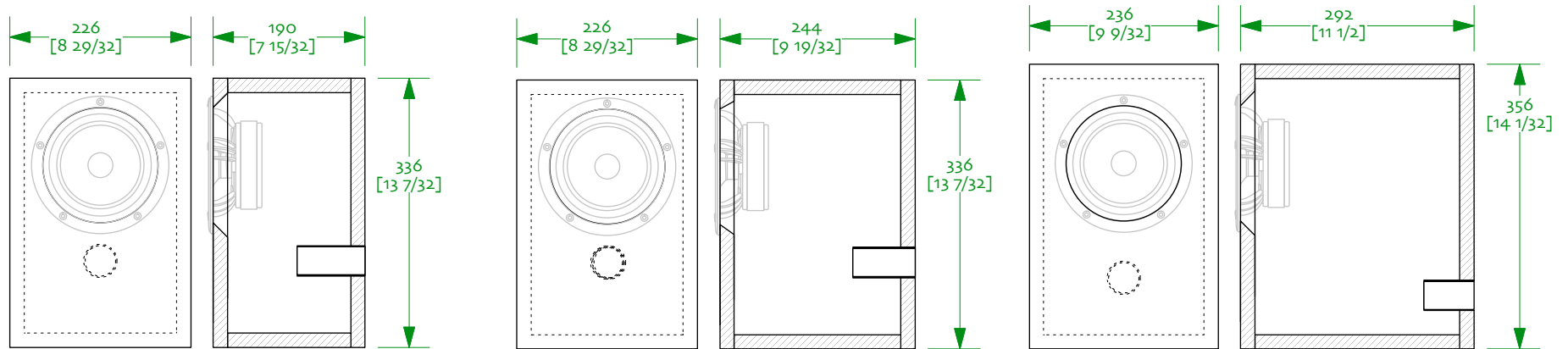
Nostromo Series

Mark Audio Alpair 11ms

29-august-2018

Three easy to build vented boxes for the Mark Audio Alpair 11MS 6in negative camber wideband drive unit.

Standard and larger size enclosures suitable for use with high output impedance amplifiers. Smaller enclosure optimised for low output impedance amplifier designs.



Small

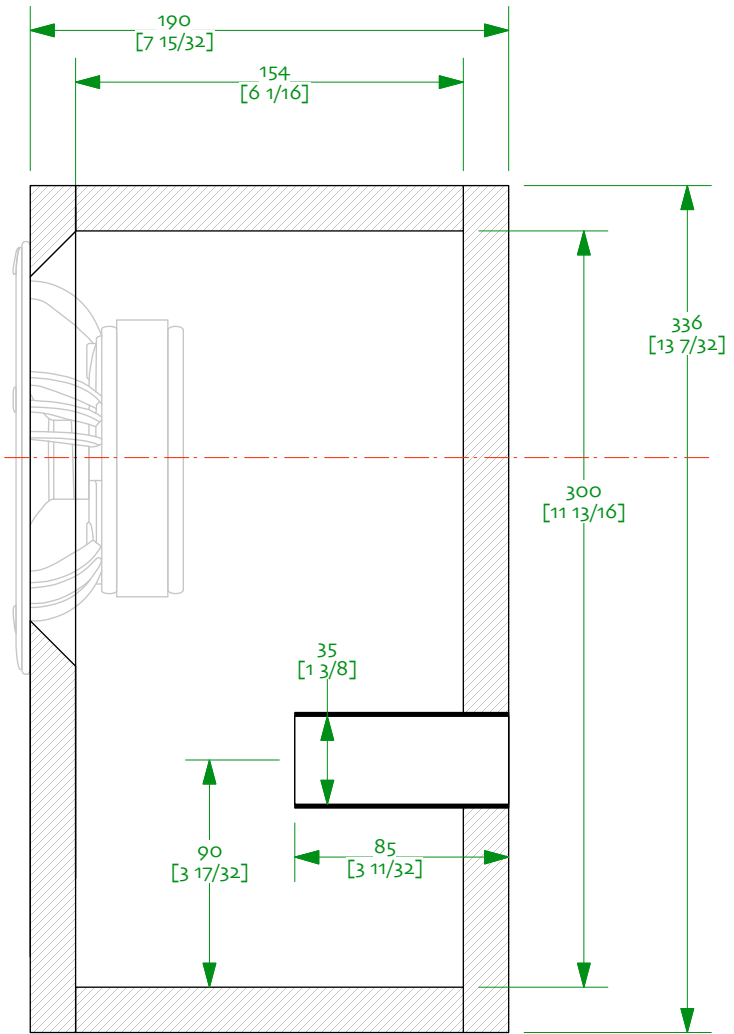
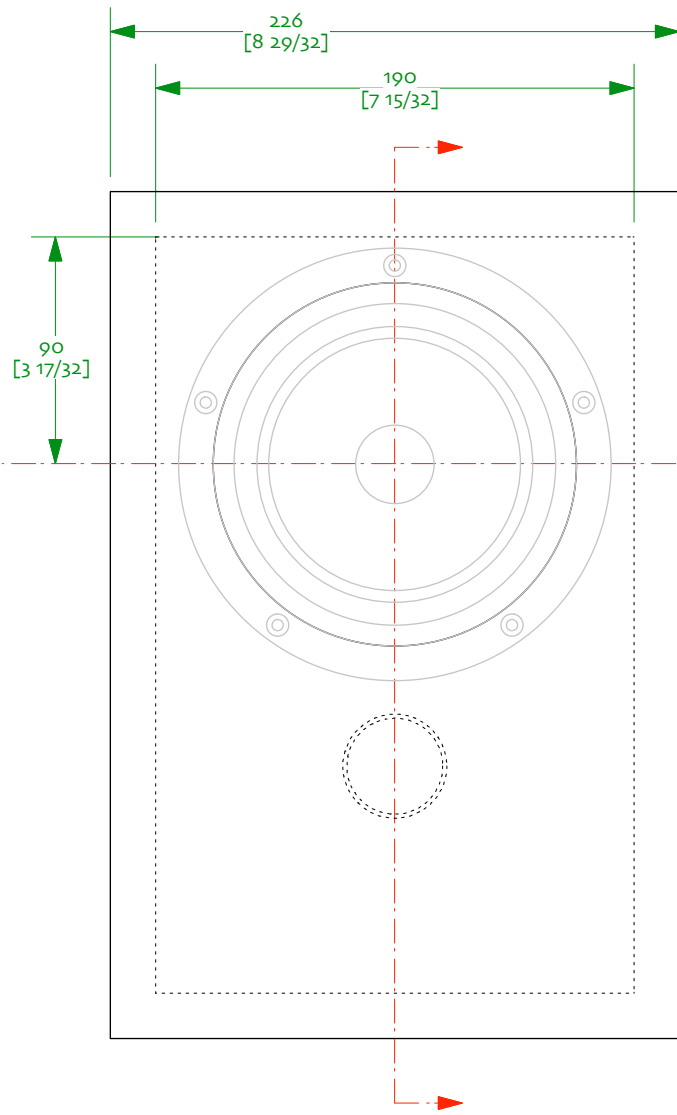
for amps w output impedance $< 1\Omega$

Medium

for SETs with output impedance $< \sim 2.5\Omega$
(or other high output imp amplifiers)

Large

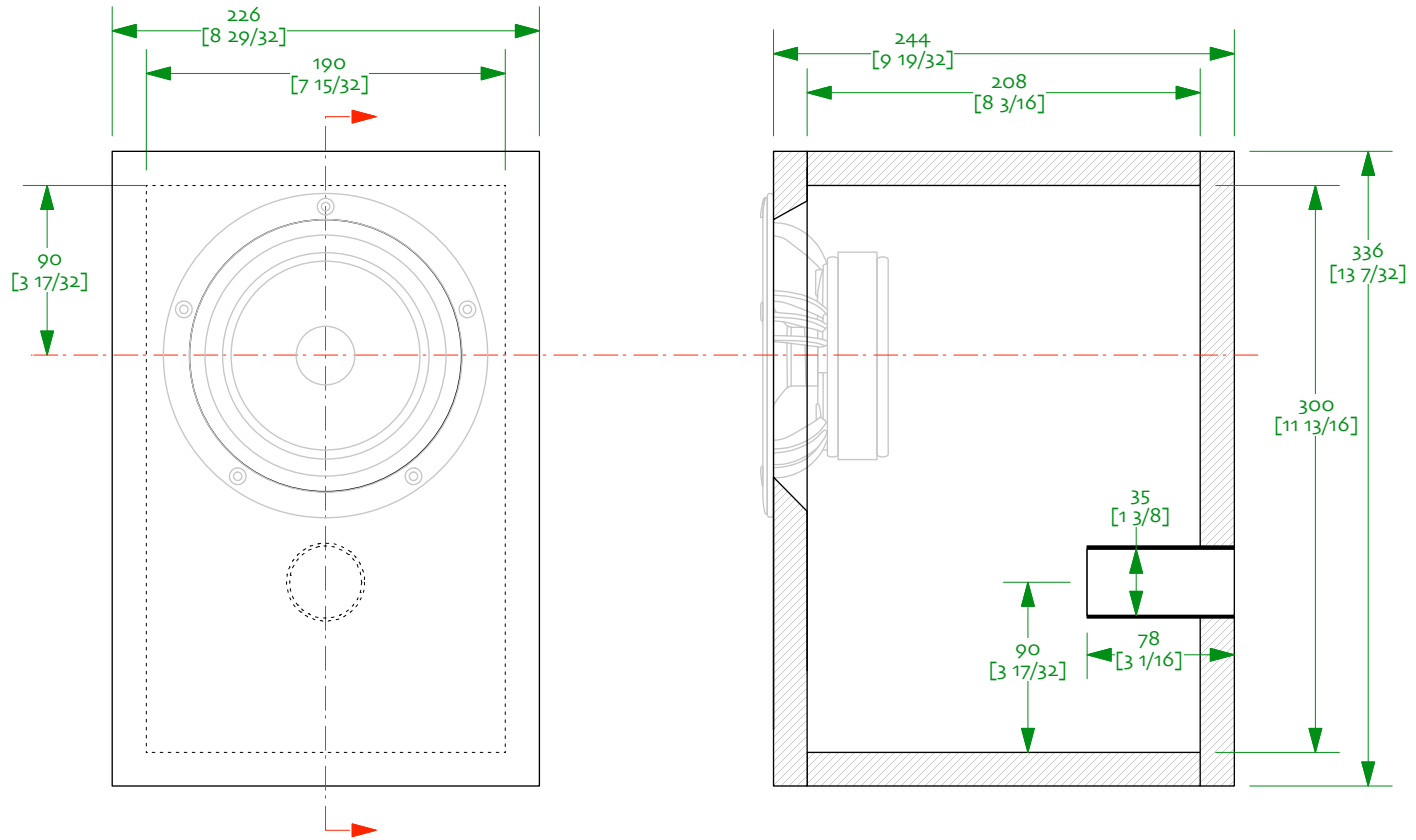
for SETs with output impedance $< \sim 4.0\Omega$
(or other high output impedance amplifiers)



Notes:
 0/ designed for the Mark Audio Alpair 11ms – 8.5 litres
 1/ drawn with 18mm material. Quality multi-ply recommended
 2/ lag top, back, and one sidewall with 12-18mm cotton or wool felt or similar. Avoid acoustic foam
 3/ bracing is optional but recommended
 4/ don't forget to open up the back of the driver cut-out



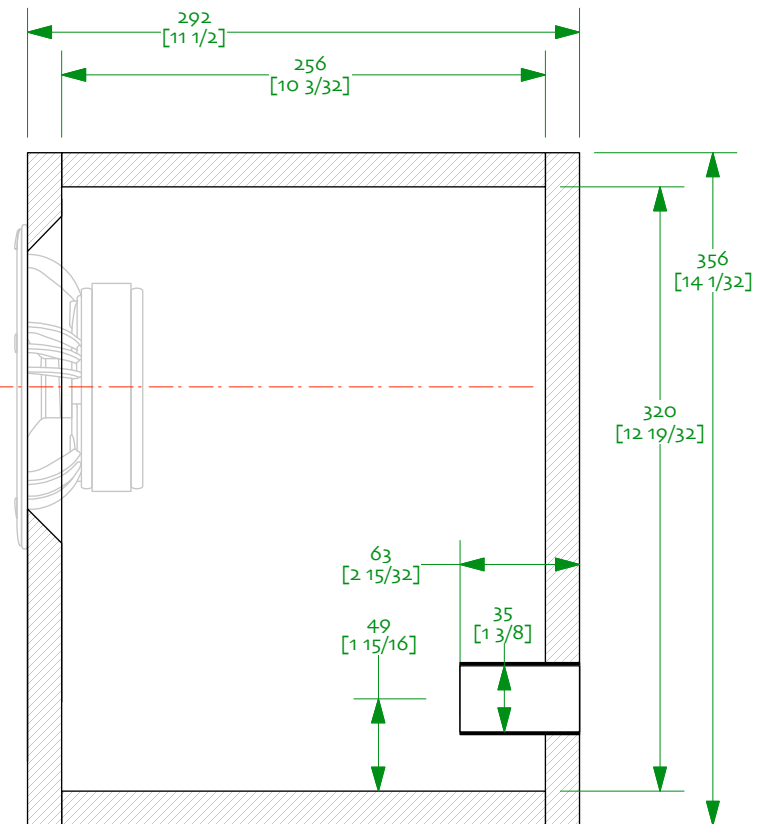
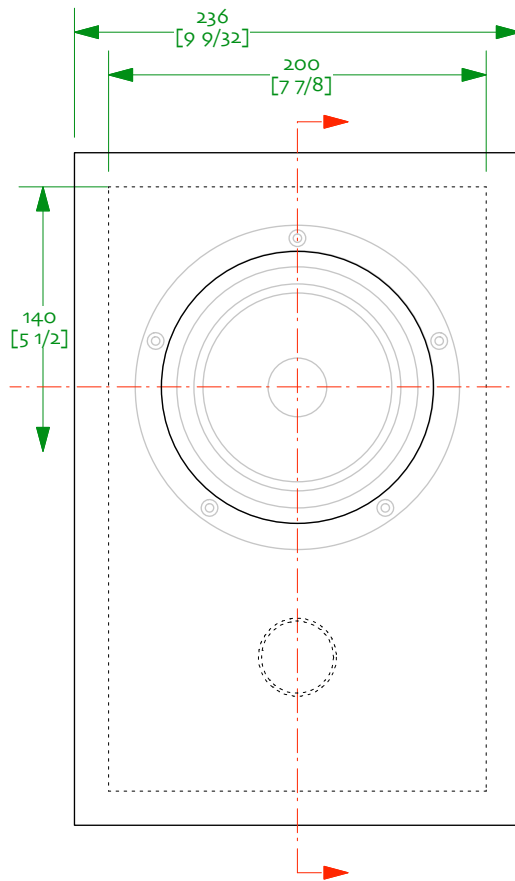
Nostromo Small ov8
 Mark Audio Alpair 11ms
 Plan 18mm | 29-august-2018
 designed by Scott Lindgren | drawn by dld
 © 2010-18 Woden Design
 Free for non-commercial use



- Notes:
- 0/ designed for the Mark Audio Alpair 11ms – 11.2 litres
 - 1/ drawn with 18mm material. Quality multi-ply recommended
 - 2/ lag top, back, and one sidewall with 12-18mm cotton or wool felt or similar. Avoid acoustic foam
 - 3/ bracing is optional but recommended
 - 4/ don't forget to open up the back of the driver cut-out



Nostromo Medium ov82
 Mark Audio Alpair 11ms
 Plan 18mm | 29-august-2018
 designed by Scott Lindgren | drawn by dld
 © 2010-18 Woden Design
 Free for non-commercial use



- Notes:
- 0/ designed for the Mark Audio Alpair 11ms – 16 litres
 - 1/ drawn with 18mm material. Quality multi-ply recommended
 - 2/ lag top, back, and one sidewall with 12-18mm cotton or wool felt or similar. Avoid acoustic foam
 - 3/ bracing is optional but recommended
 - 4/ don't forget to open up the back of the driver cut-out



Nostromo Large ov82

Mark Audio Alpair 11ms
 Plan 18mm | 29^o-august-2018
 designed by Scott Lindgren | drawn by dld
 © 2010-18 Woden Design
 Free for non-commercial use