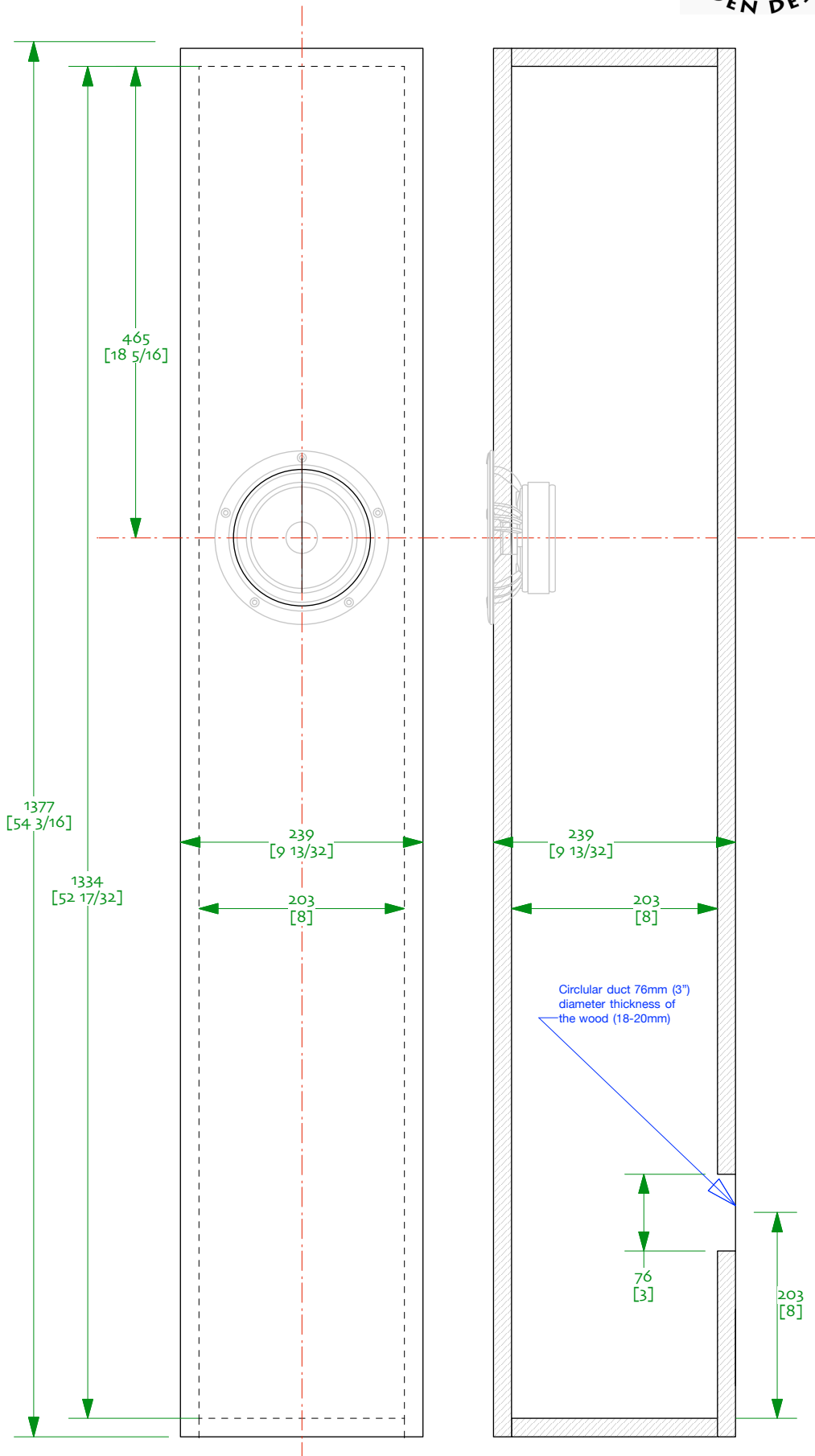


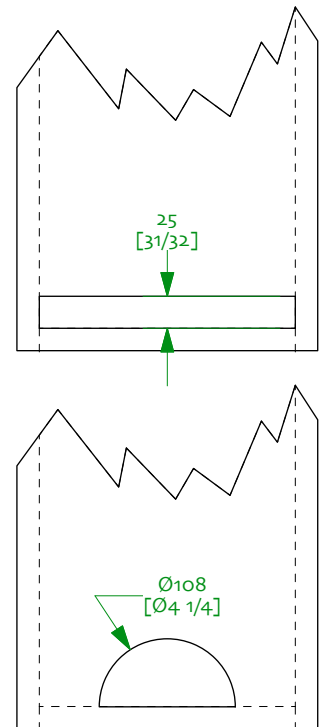


Sea Stack ML-TL ov81  
 Alpair 11ms | 18mm plan  
 designed by S Lindgren | drawn by dld  
 01-september-2018  
 © 2017-18 Woden Design

- 0/ drawn with 18mm material. Quality plywood recommended
- 1/ uses Mark Audio Alpair 11ms
- 2/ line all interior faces with damping material: SAE F10 felt, Ultratouch, acoustic fiberglass, or similar
- 3/ don't forget to relieve the back of the driver cutout with a chamfer or roundover
- 4/ bracing not shown but recommended. Braces should run in the direction of the line
- 5/ beveling front vertical edges recommended
- 6/ stabilizing plinth recommended



The vents at the bottom will operate over a wider BW but a bit more ripple



Alternate vent openings