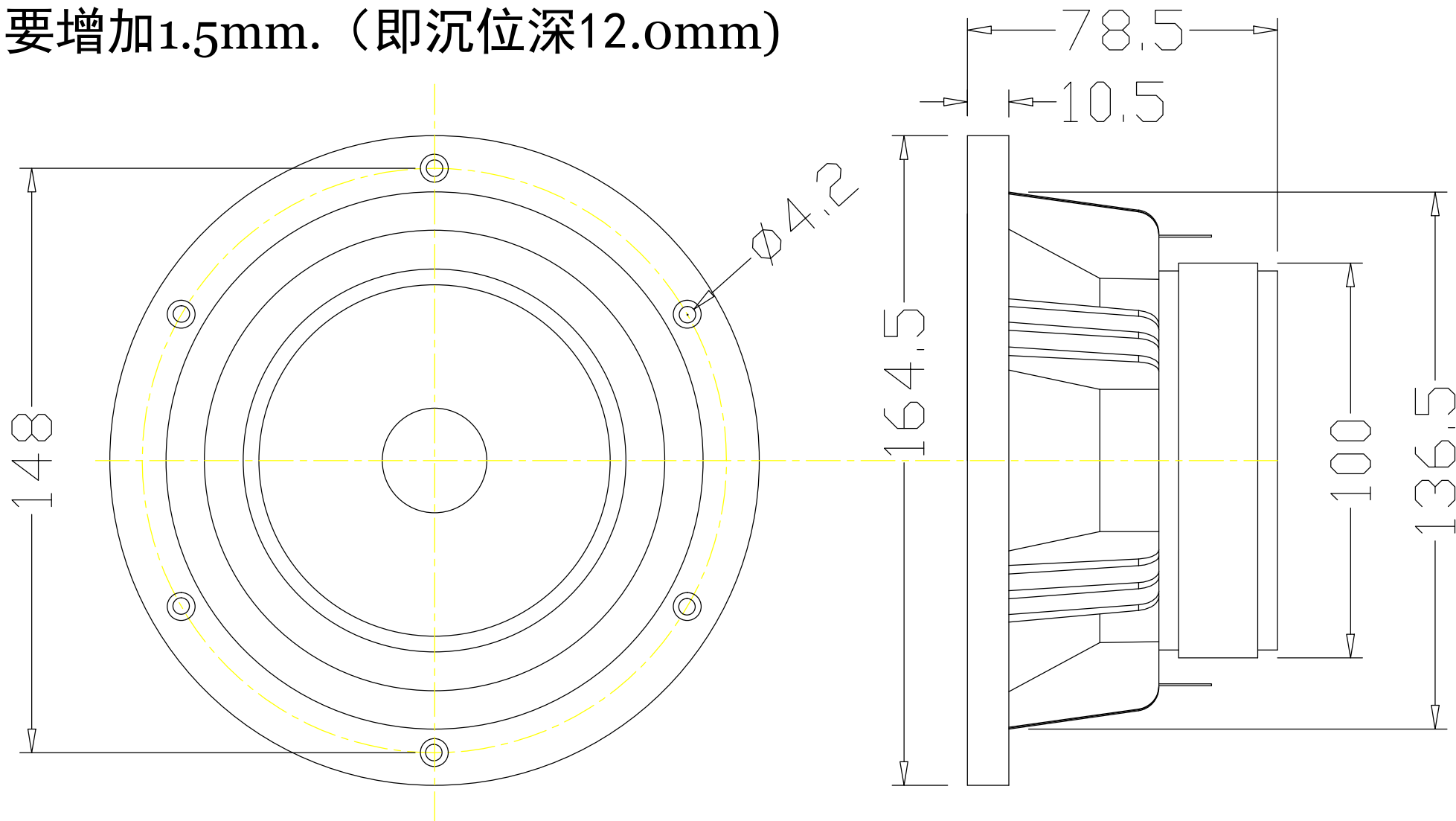


备注：贴好赠送的密封圈后，装喇叭沉位要增加1.5mm.（即沉位深12.0mm）



MARKAUDIO  
Alpair10, 10P 安装图

PART NO:		MECHANICAL DRAWING	
MODEL NO.:		APPROVAL BY	MADE BY
DATE: 2016.04.11		Evan Yu	Evan Yu
Version: v1	UNIT:mm		